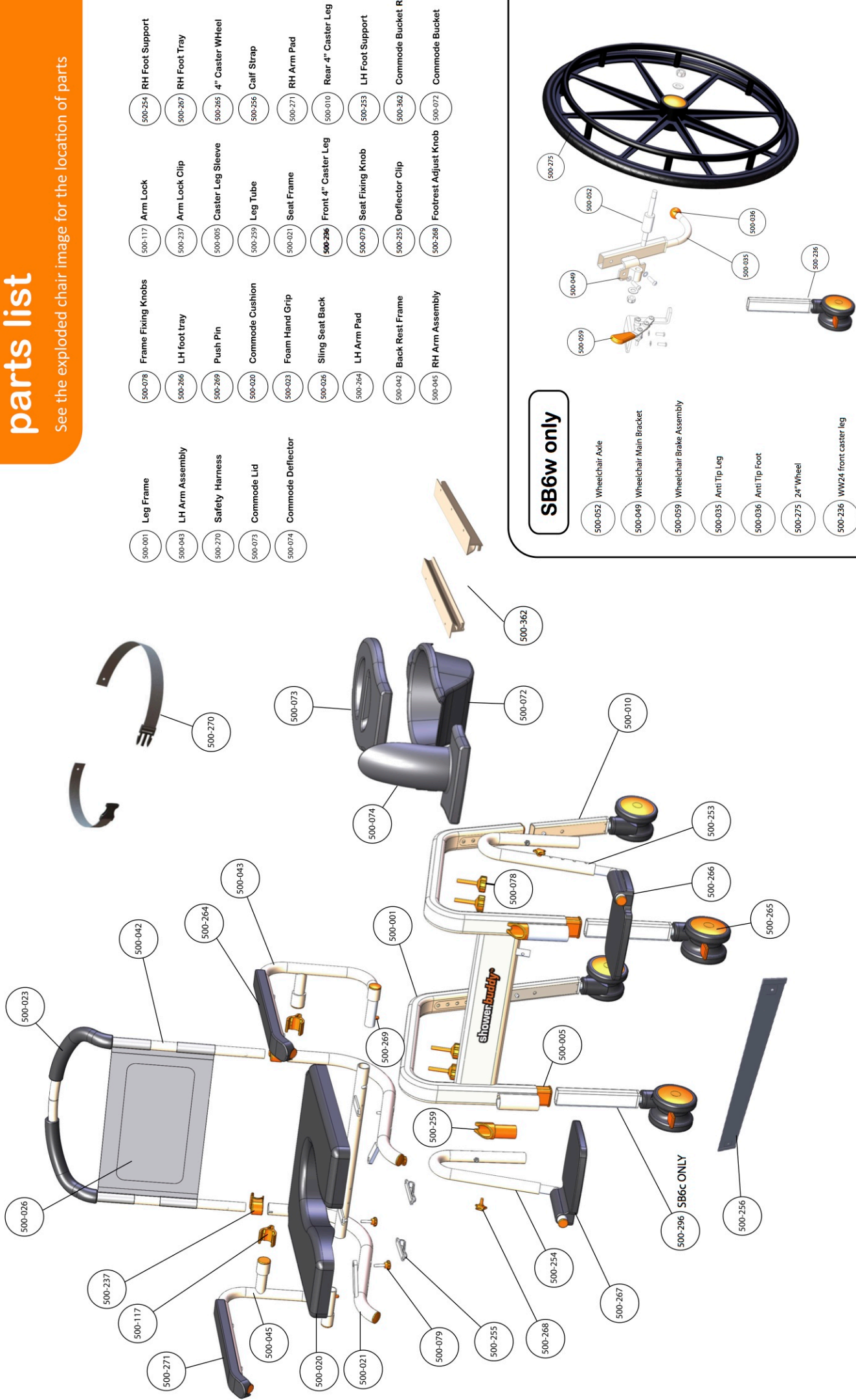


exploded parts



SB6, SB6W parts list

See the exploded chair image for the location of parts

500-001	Leg Frame	500-078	Frame Fixing Knobs	500-117	Arm Lock	500-254	RH Foot Support
500-043	LH Arm Assembly	500-266	LH foot tray	500-237	Arm Lock Clip	500-267	RH Foot Tray
500-270	Safety Harness	500-269	Push Pin	500-005	Caster Leg Sleeve	500-265	4" Caster Wheel
500-073	Commode Lid	500-020	Commode Cushion	500-259	Leg Tube	500-256	Caif Strap
500-074	Commode Deflector	500-023	Foam Hand Grip	500-021	Seat Frame	500-271	RH Arm Pad
		500-026	Sling Seat Back	500-296	Front 4" Caster Leg	500-010	Rear 4" Caster Leg
		500-264	LH Arm Pad	500-079	Seat Fixing Knob	500-253	LH Foot Support
		500-042	Back Rest Frame	500-255	Deflector Clip	500-362	Commode Bucket Rails
		500-045	RH Arm Assembly	500-268	Footrest Adjust Knob	500-072	Commode Bucket

SB6w only

500-052	Wheelchair Axle
500-049	Wheelchair Main Bracket
500-059	Wheelchair Brake Assembly
500-035	Anti Tip Leg
500-036	Anti Tip Foot
500-275	24" Wheel
500-236	WW24 front caster leg